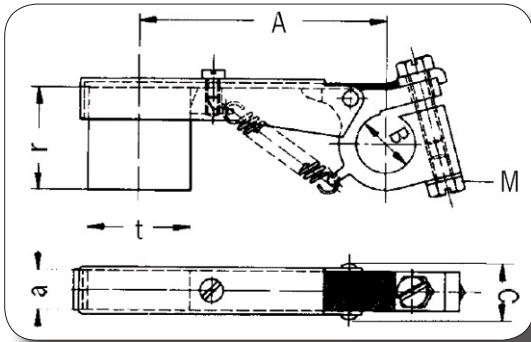


## Single leg brush holders type DE for slip rings

*Robust, reliable construction with very stable clamp assembly in drawn brass. Strong stainless steel springs guarantee constant brush contact. Shackles made of brass sheet with flexible, built-in copper connectors for safe power transmission with minimized losses. Designed for loads of at least 25 A/cm<sup>2</sup> and compliant with all copper grades*



*Product information for which Carbex bears no responsibility is provided by the manufacturer.*



## Single leg brush holders type DE for slip rings

Item Number	Production Type		Brush Dimensions			Arm Length A	Bore Diameter Standard Max			Width C	Connection Screw M
			t	a	r		B	till			
13 010 8410	84 DE30	B 10	8	4	15	30	10	-	8	M4	
13 010 8420	84 DE43	B 10	8	4	15	43	10	-	8	M4	
13 010 8510	85 DE27	B 7-9	8	5	15	27	7	9	9	M3	
13 010 8520	85 DE32	B 10	8	5	15	32	10	-	9	M4	
13 010 8530	85 DE43	B 10	8	5	15	43	10	-	9	M4	
13 010 1010	105 DE37	B 10	10	5	16	37	10	-	9	M4	
13 010 1020	1064 DE37	B 10	10	6,4	16	37	10	-	11	M4	
13 010 1210	12564 DE40	B 10	12,5	6,4	20	40	10	-	11	M4	
13 010 1220	1258 DE47	B 10-13	12,5	8	20	47	10	13	12	M5	
13 010 1610	168 DE46	B 10-13	16	8	20	46	10	13	12	M5	
13 010 1620	168 DE50	B 10-13	16	8	20	50	10	13	12	M5	
13 010 1630	168 DE62	B 13-16	16	8	25	62	13	16	12	M5	
13 010 1640	1610 DE50	B 10-16	16	10	25	50	10	16	14	M5	
13 010 1650	1610 DE62	B 13-16	16	10	25	62	13	16	14	M5	
13 010 2010	208 DE44	B 10-13	20	8	25	44	10	13	12	M5	
13 010 2020	208 DE50	B 13-16	20	8	25	50	13	16	12	M5	
13 010 2030	208 DE60	B 13-16	20	8	25	60	13	16	12	M5	
13 010 2040	2010 DE50	B 10-13	20	10	25	50	10	13	14	M5	
13 010 2050	2010 DE56	B 13-16	20	10	25	56	13	16	14	M5	
13 010 2060	2010 DE60	B 13-16	20	10	25	60	13	16	14	M5	
13 010 2070	2010 DE70	B 16-20	20	10	30	70	16	20	14	M5	
13 010 2510	258 DE60	B 13-16	25	8	25	60	13	16	12	M5	
13 010 2520	2510 DE60	B 13-16	25	10	25	60	13	16	14	M6	
13 010 2540	25125 DE60	B 13-16	25	12,5	25	60	13	16	17	M6	
13 010 2550	25125 DE70	B 16-20	25	12,5	30	70	16	20	17	M6	
13 010 2570	25125 DE90	B 16-20	25	12,5	30	90	16	20	17	M6	
13 010 2580	2516 DE85	B 16-20	25	16	30	85	16	20	22	M8	
13 010 3210	3210 DE67	B 13-16	32	10	32	67	13	16	15	M6	
13 010 3220	3210 DE80	B 16-20	32	10	32	80	16	20	15	M6	
13 010 3230	32125 DE70	B 16-20	32	12,5	32	70	16	20	17	M6	
13 010 3240	32125 DE80	B 16-20	32	12,5	32	80	16	20	17	M6	
13 010 3250	32125 DE90	B 16-20	32	12,5	32	90	16	20	17	M6	
13 010 3260	32125 DE100	B 16-20	32	12,5	32	100	16	20	17	M6	
13 010 3270	3216 DE85	B 16-20	32	16	32	85	16	20	22	M8	
13 010 3280	3216 DE100	B 16-20	32	16	32	100	16	20	22	M8	
13 010 4010	40125 DE95	B 16-20	40	12,5	40	95	16	20	17	M8	
13 010 4020	4020 DE100	B 16-20	40	20	40	100	16	20	26	M10	
13 010 4030	4020 DE125	B 25	40	20	40	125	25	-	26	M10	
13 010 4040	4020 DE140	B 25	40	20	40	140	25	-	26	M10	

Product information for which Carbex bears no responsibility is provided by the manufacturer.